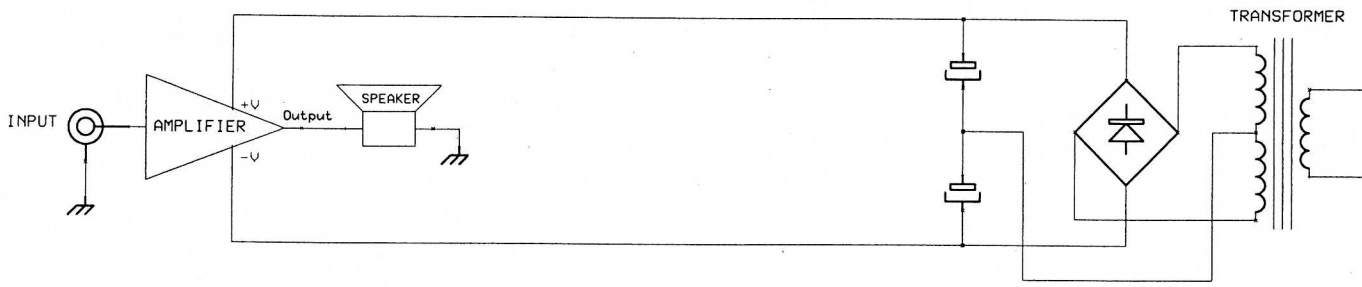
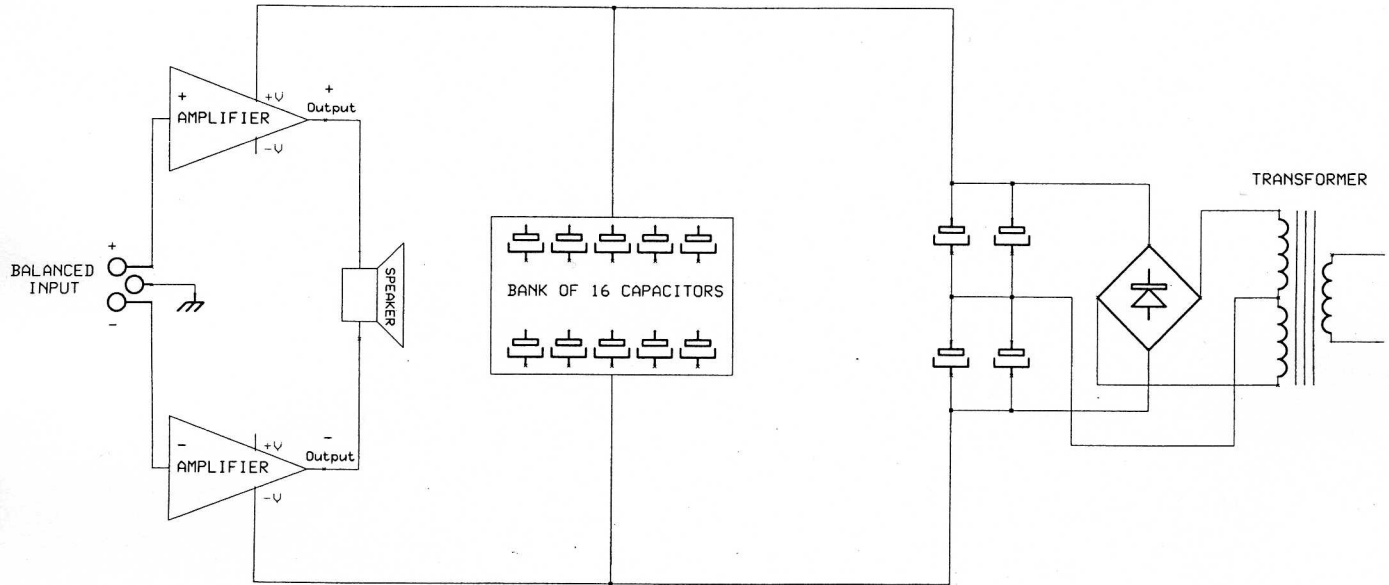


# ONE CHANNEL OF A CONVENTIONAL SINGLE ENDED AMPLIFIER



# ONE CHANNEL OF OUR AMS50 CLASS A BALANCED AMPLIFIER



# ONE CHANNEL OF OUR AMS100 CLASS A BALANCED AMPLIFIER

