

Instructions for use

Thank you for purchasing the Musical Fidelity M1 LPS

The M1 LPS consists of a top quality phono stage with precise RIAA or RIAA/IEC frequency response. It features switch selectable inputs for both moving coil and moving magnet cartridge types and high quality buffered outputs.

This combination yields one of the best high-fidelity systems available at any price.

It is designed particularly to be partnered with Musical Fidelity M1/M3/M6 series products or to add top quality phono playback to any system

The M1 LPS should give many years of outstanding musical reproduction. Dust regularly with a soft duster or soft brush, but be careful when using cleaning or polishing agents - they may harm the surface finish.

If there are any questions about the audio system, please consult the dealer who is there to help and advise.

| Section | | Page |
|-----------------------------------|--|-------------|
| Safety Information | – Mains plug (UK only), modification warning | 3 |
| General advice | – Installation precautions | 4 |
| Disposal information | – EU disposal information | 5 |
| Installation | – Introduction, cleaning, installation, power connections, audio connections | 6 |
| Facilities and connections | – Illustrations - main unit front & rear panels | 7 |
| Operation | – Switch on and introduction | 8 |
| Problems? | – Basic fault finding | 9 |
| Specifications | – Product parameters | 10 |
| Manual history | – Revisions history | 11 |

IMPORTANT! (U.K. only)

This unit is supplied in the U.K. with mains lead fitted with a moulded 13 amp plug. If, for any reason, it is necessary to remove the plug, please remove the fuse holder and dispose of the plug safely, out of reach of children.


It must not be plugged into a mains outlet.

The wires in the mains lead supplied with this appliance are coloured in accordance with the following code:

Green and yellowEarth
Blue..... Neutral
BrownLive

WARNING – This appliance MUST be earthed

As the colours of the wires of the mains lead of this appliance may not correspond with the coloured markings identifying the terminals in the plug, proceed as follows:

- The wire which is coloured green-and-yellow must be connected to the terminal in the plug which is marked with the letter E or coloured green or green-and-yellow, or by the earth symbol: 
- The wire which is coloured brown must be connected to the terminal which is marked with the letter L or coloured red.
- The wire which is coloured blue must be connected to the terminal which is marked with the letter N or coloured black.
- If connecting to a BS1363 plug, a 13 amp fuse must be used.

WARNING:

ANY MODIFICATIONS TO THIS PRODUCT NOT EXPRESSLY APPROVED BY MUSICAL FIDELITY WHO IS THE PARTY RESPONSIBLE FOR STANDARDS COMPLIANCE COULD VOID THE USER'S AUTHORITY TO OPERATE THIS EQUIPMENT.

Installation, Precautions & User Information

This new M1 LPS is designed and built to provide trouble-free performance, but as with all electronic devices it is necessary to observe a few precautions:

- Heed all warnings shown on the back of the product.
- The M1 LPS has a built-in universal power supply that can be connected to mains of between 90 to 250V AC r.m.s. 50-60Hz without modification.
- Always ensure that when disconnecting and reconnecting your audio equipment the mains supply is switched off.
- Position the mains lead and signal interconnects where they are not likely to be walked on or trapped by items placed on them.
- Do not use near water, or place water-filled containers on the M1 LPS, for example, a flower vase or potted plants. **If water does spill inside, immediately pull out the mains plug from the wall socket and inform the dealer, who should then check the unit before further use. Entry of liquid into the M1 LPS is dangerous, and may cause electric shock or fire hazard.**
- Do not place the unit near direct heat sources such as radiators, direct sunlight or other equipment.
- Do not remove any covers or try to gain access to the inside. There are no user adjustments or fuses to change without qualification. Refer all service work to an authorised Musical Fidelity agent.
*** Note: Unauthorised opening of the equipment will invalidate any warranty claim.**
- Dust regularly with a soft cloth or soft brush but be careful when using cleaning or polishing agents - they may harm the surface finish.

The electronics in modern hi-fi equipment is complex and may, therefore, be adversely affected or damaged by lightning. For protection of the audio system during electrical storms, remove the mains plugs.

If after-sales service is required, to help the dealer identify the M1 LPS please quote the serial number located on the rear panel of the unit.

**DISPOSAL**

The crossed out wheeled bin label that appears on the back panel of the product indicates that the product must not be disposed of as normal household waste. To prevent possible harm to the environment please separate the product from other waste to ensure that it can be recycled in an environmentally safe manner. Please contact local government office or retailer for available collection facilities.

**DISPOSITION**

La poubelle sur roulettes barrées X, qui apparaît en logo sur le panneau arrière du produit, indique que celui-ci ne doit pas être traité comme un déchet domestique commun. Afin de protéger l'environnement, ce produit électronique devra être géré séparément et donc recyclé selon les nouvelles normes Européennes Rohs concernant les déchets d'appareils électroniques. Prière de contacter les services concernés gouvernementaux ou votre point de vente pour l'élimination et l'enlèvement de déchets électroniques équipés de composants électroniques.

**DISPOSAL**

La etiqueta cruzada hacia fuera del compartimiento que aparece en el panel trasero del producto indica que el producto no se debe reciclarse como basura normal de la casa. Para prevenir daños posible al ambiente separe por favor el producto de otras basura para asegurarse de que puede ser reciclada de una manera ambientalmente segura. Entre en contacto por favor a su oficina gubernamental local o a su minorista para las instalaciones disponibles de la colección.

**RIFIUTI**

L'etichetta del cassonetto barrato riportato sul retro dell'apparecchio indica che il prodotto non deve essere smaltito tramite la procedura normale di smaltimento dei rifiuti domestici. Per evitare eventuali danni all'ambiente, separare questo prodotto da altri rifiuti domestici in modo che possa venire riciclato in base alle procedure di rispetto ambientale. Per maggiori dettagli sulle aree di raccolta disponibili, contattate l'ufficio govenativo locale od il rivenditore del prodotto.

**FACHGERECHTE ENTSORGUNG:**

Das auf der Geräterückseite angebrachte Label deutet darauf hin, dass das Produkt nicht mit konventionellem Hauskehricht entsorgt werden darf. Um Schäden und Verschmutzungen an Umwelt und Mensch zu vermeiden, muss das Produkt fachgerecht entsorgt und von anderem Abfall getrennt werden. Wenden Sie sich bei Fragen hierzu an Ihren Fachhändler oder an eine öffentliche Informationsstelle.

**AFVAL**

Het label op de achterzijde van dit apparaat, een afvalbak op wielen met een kruis doorgehaald, geeft aan dat dit apparaat niet samen met gewoon huishoudafval mag worden weggegooid. Om mogelijke schade aan onze leefomgeving te voorkomen dient dit apparaat, gescheiden van gewoon huishoudelijk afval, te worden afgevoerd zodat het op een milieuvriendelijke manier kan worden gerecycled. Neem voor beschikbare inzamelplaatsen contact op met uw gemeentelijke reinigingsdienst of met uw elektronica leverancier.

**HÄVITTÄMINEN**

Yliuksattua jäteastiaa kuvaava tarra tuotteen takalevyssä kertoo, että tuotetta ei saa käsitellä normaalina talousjätteenä. Ympäristön suojelemiseksi on tuote pidettävä erillään muusta jätteestä ja se on kierrätettävä ekologisesti kestävällä tavalla. Ota yhteyttä laitteen myyjään tai Pirkanmaan Ympäristökeskukseen lähimmän kierrätyskeskuksen löytämiseksi.

**AFSKAFNING**

Logoet med en skraldespand med kryds over på bagsiden af apparatet indikerer at dette produkt ikke må kasseres som normal husholdningsaffald. For at forebygge mulig skade på miljøet, bedes De separere dette produkt fra andet affald, og sikre at det bliver genbrugt på en miljørigtig måde. Kontakt venligst de lokale myndigheder eller din forhandler for oplysning om nærmeste tilgængelige opsamlingssted for elektronikaffald.

**ΔΙΑΔΙΚΑΣΙΑ ΑΠΟΡΡΙΨΗΣ**

ΤΟ ΣΗΜΑ ΜΕ ΤΟΝ ΔΙΑΓΕΓΡΑΜΜΕΝΟ ΤΡΟΧΗΛΑΤΟ ΚΑΔΟ ΑΠΟΡΡΙΜΑΤΩΝ ΣΤΗΝ ΠΙΣΩ ΟΨΗ ΤΟΥ ΜΗΧΑΝΗΜΑΤΟΣ

ΔΗΛΩΝΕΙ ΟΤΙ ΤΟ ΠΡΟΙΟΝ ΑΥΤΟ ΔΕΝ ΠΡΕΠΕΙ ΝΑ ΔΙΑΧΕΙΡΙΣΘΕΙ ΣΑΝ ΣΥΝΗΘΙΣΜΕΝΟ ΟΙΚΙΑΚΟ ΑΠΟΒΛΗΤΟ.

ΠΡΟΣ ΑΠΟΦΥΓΗ ΕΝΔΕΧΟΜΕΝΗΣ ΕΠΙΒΑΡΥΝΣΗΣ ΤΟΥ ΠΕΡΙΒΑΛΛΟΝΤΟΣ, ΞΕΧΩΡΙΣΤΕ ΤΟ ΠΡΟΙΟΝ ΑΠΟ ΤΑ ΆΛΛΑ ΑΠΟΡΡΙΜΑΤΑ ΟΣΤΕ ΝΑ ΕΞΑΣΦΑΛΙΣΘΕΙ Η ΑΝΑΚΥΚΛΩΣΗ ΤΟΥ ΜΕ ΤΟΝ ΠΡΕΠΟΝΤΑ ΤΡΟΠΟ.

ΠΑΡΑΚΑΛΟΥΜΕ ΝΑ ΕΠΙΚΟΙΝΩΗΣΕΤΕ ΜΕ ΤΗΝ ΤΟΠΙΚΗ ΥΠΗΡΕΣΙΑ ΑΝΑΚΥΚΛΩΣΗΣ Η ΜΕ ΤΟ ΚΑΤΑΣΤΗΜΑ ΑΓΟΡΑΣ ΓΙΑ ΠΕΡΙΣΣΟΤΕΡΕΣ ΛΕΠΤΟΜΕΡΕΙΕΣ.

Introduction

Congratulations on the purchase of the new M1 LPS player. This unit will give top quality performance when used as a top quality record player delivering the best performance possible from vinyl recordings.

Cleaning

Before cleaning the unit, switch off power at the mains switch and remove the mains plug from the wall socket. Clean the cabinet and remote control unit using a moist cloth. Using solvents, white spirit or thinners is not advised, as they could damage the surface finish.

Installation

Position the M1 LPS on a stable, horizontal surface where there is no risk of it being knocked, or subjected to vibration such as from loudspeakers.

Important note:

The M1 LPS must be protected from humidity – if the unit is moved from a cold place to a warm room, leave the unit for an hour or so to allow sufficient time for the moisture to evaporate.

Please note: Musical Fidelity currently do not make any interconnecting cables, nor do we endorse any particular manufacturer's cables. If required, please refer to the Musical Fidelity dealer who can advise on suitable quality cables for any particular setup.

Power Connections

The M1 LPS is supplied with a standard IEC mains cable which plugs into the IEC socket at the back of the unit. The unit features a universal power supply that can work anywhere in the world without reconfiguring.

Audio Connections

The cartridge/turntable outputs should be connected to corresponding MM or MC INPUTs.

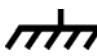
MM input: Connect left and right outputs from turntable/moving magnet cartridge to left and right MM input on M1 LPS. Use good quality fully shielded and connected (signal and ground) cables for optimum signal transfer and minimum hum.

MC input: Connect left and right outputs from turntable/moving coil cartridge to left and right MC input on M1 LPS. Use good quality fully shielded and connected (signal and ground) cables for optimum signal transfer and minimum hum. If connecting a high output MC cartridge to the MC input results in an excessively high sound output, it is perfectly in order to move it to the MM input if preferred.

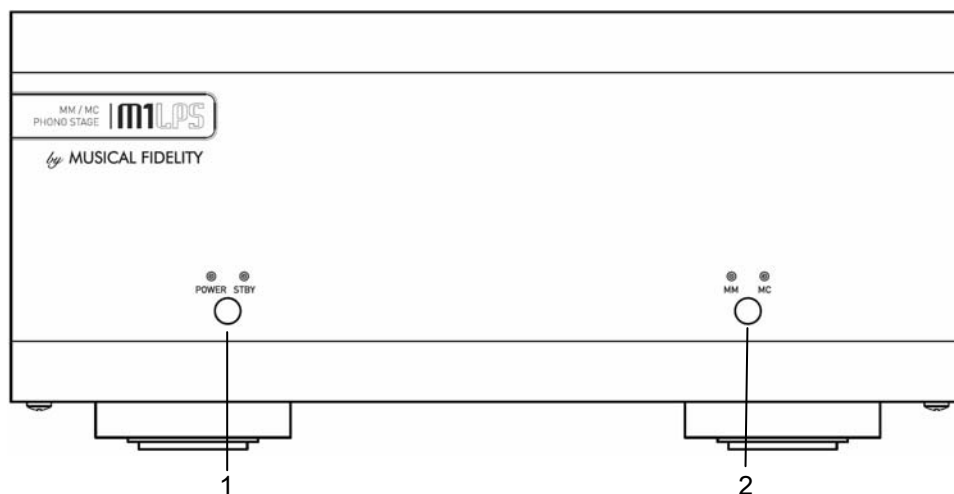
RCA Outputs: Connect left and right outputs to left and right line input on pre- or integrated amplifier. Use good quality fully shielded and connected (signal and ground) coaxial cables for optimum signal transfer.

Earth Connection

There is no harm done if *no* connection is made to this terminal, as it is not always needed anyway, for example, some turntables have their own earthing arrangement.

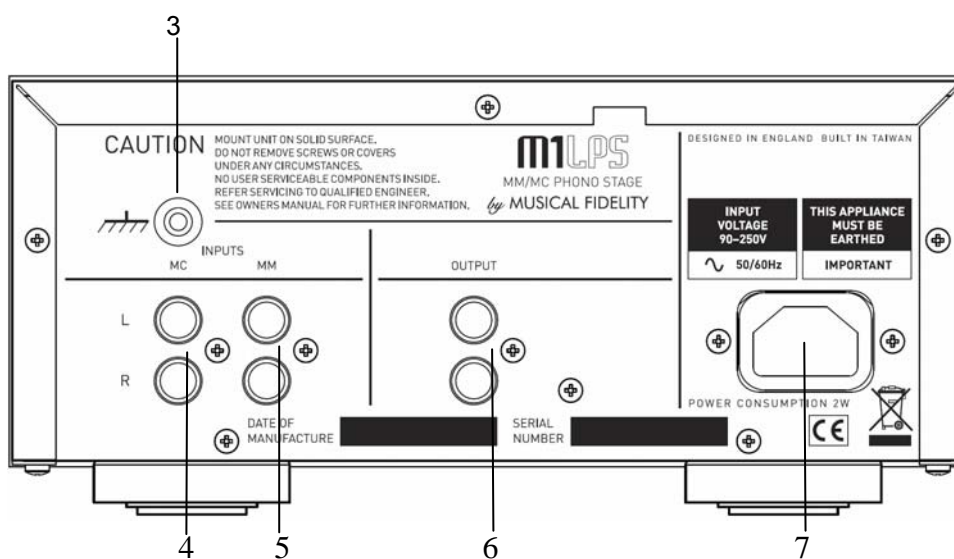
 The green earthing post should only be connected when excessive hum is experienced. Connect the turntable earthing lead to this post if hum is noticed. If hum worsens when the earth post is thus connected, then disconnect immediately and investigate the cause elsewhere.

Note: some systems may have more than one direct earth point(s) already involved. This could cause hum problems that may only become apparent on connecting the M1 LPS. Thus the M1 LPS may not be the root cause of hum detected in a system, even if it is the only device that appears to be making the hum apparent.



1 **POWER** ON/STANDBY button

2 **MM/MC** Cartridge type selector button



3 **EARTH** 4mm banana post

6 **OUTPUT** left and right RCA

4 **MOVING COIL** input left and right RCA

7 **MAINS INPUT** IEC socket

5 **MOVING MAGNET** input left and right RCA

Switch on and introduction.

Make sure the unit is fully connected up and plugged into the mains.

Check that the cartridge/turntable outputs are connected to the correct inputs (MM or MC) for the cartridge being used.

The orange STBY LED will be lit indicating the presence of mains supply. Press the POWER/STBY button on front panel. The STBY LED will go out, and the blue POWER LED should light up.

Choosing cartridge type

Select the cartridge being used by pressing the MM or MC button. The MM/MC LEDs show current selection and the selected input sockets are switched in. A short delay occurs between switching cartridge type to prevent loud noises being transmitted through system and speakers.

Please note: A great deal of effort has gone into making sure that the unit exhibits no loud noises through the system during switching options or on/off. However, once installed into a hifi system, it is still a very high gain (amplification) amplifier at the beginning of a high amplification chain. Therefore, cranking the main amplifier volume to maximum and listening for clicks/thumps is neither recommended nor sensible. With this in mind, it is strongly recommended that the MM/MC button is only pressed when the volume is turned down (or muted), to avoid any accidental loud transients getting through to the speakers. Once options are set, the volume should then be turned back to normal listening level.

Basic problem-solving with an amplifier is similar to troubleshooting other electrical or electronic equipment. Always check the most obvious possible causes first, such as the following examples:

| Problem | Probable Cause | Remedy |
|---|--|--|
| No power | Mains power supply is not fully inserted into mains socket or rear socket | Plug in securely |
| No sound | Wrong connections between input sources and the unit Cartridge incorrectly wired | Check audio input and output lead connections Check cartridge wiring |
| Sound too quiet/loud | Cartridge/turntable outputs in wrong input | Use MM input for MM cartridges; MC input for MC cartridges. Some high-level output MC cartridges are suitable for use on MM inputs, check cartridge manufacturers' specifications. |
| Sound is not precise, lacking in bass and stereo image | Cartridge incorrectly wired Input connector plugs not fully pushed in Output connector plugs not fully pushed in | Double-check cartridge wiring using cartridge and turntable manuals/wiring diagrams. Check plugs are inserted fully and securely |
| Hum | Turntable not earthed or needs earthing Turntable already earthed and earthing further creates hum loop in system Earth loops already in system Audio connector plug not fully pushed in Cable fault Unsuitable Cable (e.g. cable grounds not connected) | Check turntable earthing lead is connected to earthing post on M1 LPS. Disconnect earthing lead from earthing post. Investigate for earth loops elsewhere in system. Insert plug securely Check cable is connected at both ends. N.B. some esoteric cables have internal wiring intentionally disconnected/modified. For best results on all inputs AND outputs, please use good quality screened coax; <i>fully connected</i> signal-to-signal, screen-to-screen. |
| Plop or click heard in speakers when switching on or off or changing inputs | High gain of M1 LPS, amplifying normal circuit transients. | Not a fault. It is recommended that the volume level on amplifier is turned down if switching the M1 LPS on or off; or pressing MM/MC switch whilst connected. |
| Distorted sound | Cartridge and/or tone arm not aligned properly Cartridge fault or worn needle Dirt on record | Carefully follow turntable instructions to correctly re-align tone arm and cartridge. Replace needle or cartridge. Clean dust and dirt from record |
| Distorted and loud sound | Line outputs of M1 LPS plugged into PHONO amplifier inputs of following amplifier | Use LINE level inputs only, e.g. an AUX input, for the outputs of the M1 LPS. |

If none of these actions affect a cure, please contact the dealer, or an authorised Musical Fidelity service agent. Remember; never open the case of the M1 LPS, as this will invalidate the guarantee.

MM input

| | |
|-----------------------|-----------------------------------|
| Frequency response | RIAA/IEC ± 0.2 dB |
| Input sensitivity | 2.5mV in for 300mV out (at 1 kHz) |
| Input impedance | 47K Ω |
| Input capacitance | 50pF |
| THD at 1 kHz | <0.01% |
| Overload margin | 31dB |
| Signal to noise ratio | >90dB "A"-wtd. |

MC input

| | |
|-----------------------|---|
| Frequency response | RIAA/IEC ± 0.2 dB |
| Input sensitivity | 300 μ V in for 300mV out (at 1 kHz) |
| Input impedance | 47K Ω |
| THD at 1 kHz | <0.01% |
| Overload margin | 31dB |
| Signal to noise ratio | >88dB "A"-wtd. |

Line level outputs

| | |
|--------------------|----------------------------------|
| 1 pair RCA (phono) | left and right 300mV rms nominal |
|--------------------|----------------------------------|

Power requirement

| | |
|----------------|---|
| Mains voltages | 90-250V AC 50/60Hz universal power supply |
| Consumption | 2 Watts maximum on - Less than 0.5W in standby (orange LED on) |

Weight

| | |
|--------------------|--|
| Unit only, unboxed | 3.1 kg (7 lbs) |
| In shipping carton | 4.6 kg (10¼ lbs) including accessories |

Dimensions

| | |
|--------------|--|
| 220 mm (8⅔") | Wide |
| 100 mm (4") | High, including feet |
| 300 mm (12") | Deep (front to back) including terminals |

Standard accessories

| | |
|------------------------|-------------|
| IEC moulded mains lead | 10-Amp type |
|------------------------|-------------|

Musical Fidelity reserves the right to make improvements which may result in specification or feature changes without notice. E&OE.



| RELEASE | DATE | CHANGES |
|----------------|-------------|-------------------|
| Issue 1 | 3/9/2013 | 1st issue |
| Issue 2 | 25/10/2013 | Weights corrected |