

V-LPS_{II} Phono Stage Instructions



Connections

All connections must be made before the mains adaptor is plugged in, and before any amplifier connected is switched on. Always switch off the equipment attached to the V-LPS_{II} before connecting/disconnecting power, changing leads or inputs.

Inputs

Using good quality RCA leads (not supplied), connect the left and right turntable outputs to the correct V-LPS_{II} **INPUT** sockets.

Use the phono MM input for moving magnet cartridges. Make sure MM/MC switch is OUT.

Use the phono MC input for moving coil cartridges. Make sure MM/MC switch is IN. An earthing terminal is provided. Connect earth wire from turntable to this terminal if hum is apparent. Other setups may work fine with this terminal left disconnected and no harm is done in doing so.

Outputs

Connect the V-LPS_{II} left and right **OUTPUTS** to the desired LINE LEVEL (e.g AUX) inputs of the amplifier system.

Power

Plug the DC connector lead from the power supply unit into the V-LPS_{II} power inlet socket, and plug the adaptor itself into a convenient wall mains outlet. The blue LED will light to confirm the unit is ready for use.

Use

Turn the volume on amplifier to normal listening levels, sit back and enjoy the music. These products have been designed so that it may be left on indefinitely, but please note that the mains adaptor may become warm to the touch - this is normal.

Introduction

Thank you for purchasing the V-LPS_{II}. We sincerely hope that it will bring you many years of outstanding listening pleasure.

Installation Precautions

Your new V-LPS_{II} is designed and built to provide trouble-free performance, but as with all electronic devices, it is necessary to observe a few precautions:

Do not use the V-LPS_{II} near water. The unit must not be exposed to dripping or splashing and no objects filled with liquids, such as vases, must be placed on the unit.

Keep the V-LPS_{II} away from heat such as radiators. No naked flame sources, such as lighted candles, should be placed on the unit.

Power Supply Note:

Only use approved *Musical Fidelity* DC power supply. The use of other adaptors or supplies could seriously damage the V-LPS_{II}.

This Hi-fi product has been tested to ensure that its operation is not adversely affected by normal background levels of Radio Frequency Interference (R.F.I.), and that it does not itself generate excessive amounts of interference. However, if a problem persists, please contact your Musical Fidelity agent.

Never open the case of the V-LPS_{II} yourself, as this will invalidate the guarantee.

Place all connecting cables where they are not likely to be walked on or trapped by items placed on them.

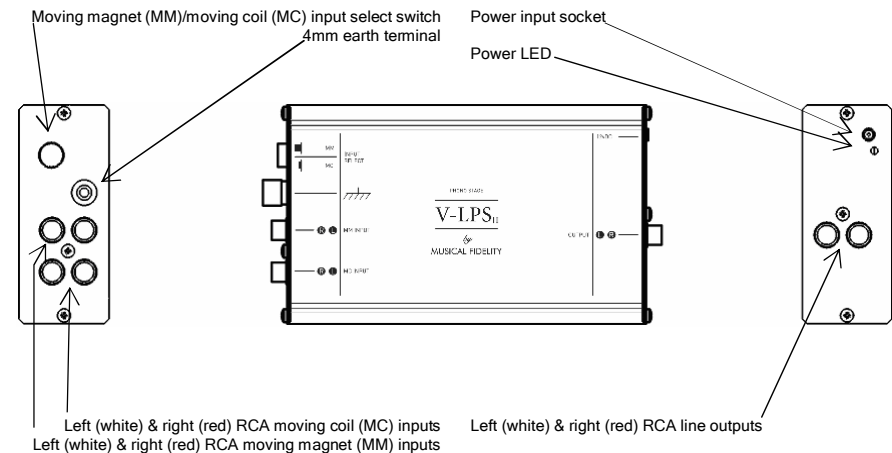
The V-LPS_{II} will operate in accordance with its specifications within the following environmental range:

Temperature 5 to 45 degrees Celsius

Humidity 10 to 90% non condensing

There are no user adjustments inside. Please refer all service work to an authorised Musical Fidelity agent.

Front and back connections



Basic problem-solving with an amplifier is similar to troubleshooting other electrical or electronic equipment. Always check the most obvious possible causes first, such as the following examples:

Problem	Probable Cause	Remedy
No power	Power supply not switched on.	Check power supply is plugged in and switched on
	Power plug is not fully inserted into rear socket	Plug in securely
No sound	Wrong connections between input source and the V-LPS _{II}	Check audio input lead connections
	Wrong connections between the V-LPS _{II} output and the following component	Check audio output lead connections
Hum	Audio connector plug not fully pushed in	Insert plug securely

If none of these actions affect a cure, please contact the dealer, or an authorised Musical Fidelity service agent. Remember; never open the case of the V-LPS_{II}, as this will invalidate the guarantee.

Specifications	MM	MC	
Input impedance	47KΩ	100Ω	
Input sensitivity	3.5mV	450μV	for 300mV out
Total harmonic distortion	0.01%	0.01%	@1kHz, 300mV out
Signal / noise ratio	>80dB	>70dB	"A" weighted
Input overload margin	15dB	22dB	
General	RIAA response	±0.25dB	
	Power requirement	12Vdc	500mA
Connections	Moving magnet inputs	1 pair RCA sockets	
	Moving coil inputs	1 pair RCA sockets	
	Line level outputs	1 pair RCA sockets	
	Power input	1.3mm DC power socket	
Dimensions	Length	170mm	6 ³ / ₈ " including terminals
	Width	95mm	3 ³ / ₈ "
	Height	40mm	1 ¹ / ₂ " including "feet"
Weight	Unit alone	350g	12 ¹ / ₄ oz
	Unit packed in carton	1Kg	2.2lbs
Accessories (supplied)	DC power supply	12V	500mA 1 off
	Leaflet	V-LPS _{II}	Instructions 1 off

Musical Fidelity reserves the right to make improvements which may result in specification or feature changes without notice. E&OE.



Item disposal information for Europe



DISPOSAL

The crossed out wheeled bin label that appears on the back panel of the product indicates that the product must not be disposed of as normal household waste. To prevent possible harm to the environment please separate the product from other waste to ensure that it can be recycled in an environmentally safe manner. Please contact your local government office or your retailer for available collection facilities.



DISPOSITION

La poubelle sur roulettes barrées X, qui apparaît en logo sur le panneau arrière du produit, indique que celui-ci ne doit pas être traité comme un déchet domestique commun. Afin de protéger l'environnement, ce produit électronique devra être géré séparément et donc recyclé selon les nouvelles normes Européennes Rohs concernant les déchets d'appareils électroniques. Prière de contacter les services concernés gouvernementaux ou votre point de vente pour l'élimination et l'enlèvement de déchets électroniques équipés de composants électroniques.



DISPOSAL

La etiqueta cruzada hacia fuera del compartimiento que aparece en el panel trasero del producto indica que el producto no se debe reciclar como basura normal de la casa. Para prevenir daños posible al ambiente separe por favor el producto de otras basura para asegurarse de que puede ser reciclada de una manera ambientalmente segura. Entre en contacto por favor a su oficina gubernamental local o a su minorista para las instalaciones disponibles de la coleccion.



RIFIUTI

L'etichetta del cassetto barrato riportato sul retro dell'apparecchio indica che il prodotto non deve essere smaltito tramite la procedura normale di smaltimento dei rifiuti domestici. Per evitare eventuali danni all'ambiente, separe questo prodotto da altri rifiuti domestici in modo che possa venire riciclato in base alle procedura di rispetto ambientale. Per maggiori dettagli sulle aree di raccolta disponibili, contattate l'ufficio governativo locale od il rivenditore del prodotto.



FACHGERECHTE ENTSORGLUNG

Das auf der Geräterückseite angebrachte Label deutet darauf hin, dass das Produkt nicht mit konventionellem Hauskehricht entsorgt werden darf. Um Schäden und Verschmutzungen an Umwelt und Mensch zu vermeiden, muss das Produkt fachgerecht entsorgt und von anderem Abfall getrennt werden. Wenden Sie sich bei Fragen hierzu an Ihren Fachhändler oder an eine öffentliche Informationsstelle.



AFVAL

Het label op de achterzijde van dit apparaat, een afvalbak op wielen met een kruis doorgeschild, geeft aan dat dit apparaat niet samen met gewoon huishoudafval mag worden weggegooid. Om mogelijke schade aan onze leefomgeving te voorkomen dient dit apparaat, gescheiden van gewoon huishoudelijk afval, te worden afgevoerd zodat het op een milieuvriendelijke manier kan worden gerecycled. Neem voor beschikbare inzamelpunten contact op met uw gemeentelijke reinigingsdienst of met uw elektronica leverancier.



HÄVITTÄMINEN

Yrituksattua jätkaastaa kuvaava tarra tuotteen takalevyssä kertoo, että tuotetta ei saa käsitellä normaalina talousjätteenä. Ympäristön suojelemiseksi on tuote pidettävä erillään muusta jätteestä ja se on kierrätettävä ekologisesti kestävällä tavalla. Ota yhteyttä laitteen myyjään tai Pirkanmaan Ympäristökeskukseen lähimmän kierrätyskeskuksen löytämiseksi.



AFSKAFNING

Logoet med en skraldespand med kryds over på bagsiden af apparatet indikerer at dette produkt ikke må kasseres som normal husholdningsaffald. For at forebygge mulig skade på miljøet, bedes De separere dette produkt fra andet affald, og sikre at det bliver genbrugt på en miljørigtig måde. Kontakt venligst de lokale myndigheder eller din forhandler for oplysning om nærmeste tilgængelige opsamlingssted for elektronikaffald.



ΔΙΑΔΙΚΑΣΙΑ ΑΠΟΡΡΙΨΗΣ

ΤΟ ΣΗΜΑ ΜΕ ΤΟΝ ΔΙΑΓΕΓΡΑΜΜΕΝΟ ΠΡΟΧΗΛΑΤΟ ΚΑΘΟ ΑΠΟΡΡΙΨΑΤΟΝ ΣΤΗΝ ΟΨΗ ΤΟΥ ΜΗΧΑΝΗΜΑΤΟΣ ΔΗΛΑΔΕΙ ΟΤΙ ΤΟ ΠΡΟΙΟΝ ΑΥΤΟ ΔΕΝ ΠΡΕΠΕΙ ΝΑ ΔΙΑΧΕΡΙΣΤΕΙ ΣΑΝ ΣΥΝΗΘΙΣΜΕΝΟ ΟΚΙΑΚΟ ΑΠΟΒΛΗΤΟ, ΠΡΟΣ ΑΠΟΦΥΓΗ ΕΝΔΕΧΟΜΕΝΗΣ ΕΠΙΒΑΡΥΝΣΗΣ ΤΟΥ ΠΕΡΙΒΑΛΛΟΝΤΟΣ. ΞΕΧΩΡΙΣΤΕ ΤΟ ΠΡΟΙΟΝ ΑΥΤΟ ΤΑ ΑΛΛΑ ΑΠΟΡΡΙΨΑΤΑ ΩΣΤΕ ΝΑ ΕΞΑΦΑΝΙΣΘΕΙ Η ΑΝΑΚΥΚΛΩΣΗ ΤΟΥ ΜΕ ΤΟΝ ΠΡΕΠΟΝΤΑ ΤΡΟΠΟ. ΠΑΡΑΚΑΛΟΥΜΕ ΝΑ ΕΠΙΚΟΙΝΩΝΗΣΕΤΕ ΜΕ ΤΗΝ ΤΟΠΙΚΗ ΥΠΗΡΕΣΙΑ ΑΝΑΚΥΚΛΩΣΗΣ Η ΜΕ ΤΟ ΚΑΤΑΣΤΗΜΑ ΑΓΟΡΑΣ ΓΙΑ ΠΕΡΙΣΣΟΤΕΡΕΣ ΛΕΠΤΟΜΕΡΕΙΕΣ.

MUSICAL FIDELITY

Units 24-26
Fulton Road
Wembley
HA9 0TF
England
(+44) 208 8900 2866
<http://www.musicalfidelity.com/>

Manual issue 01